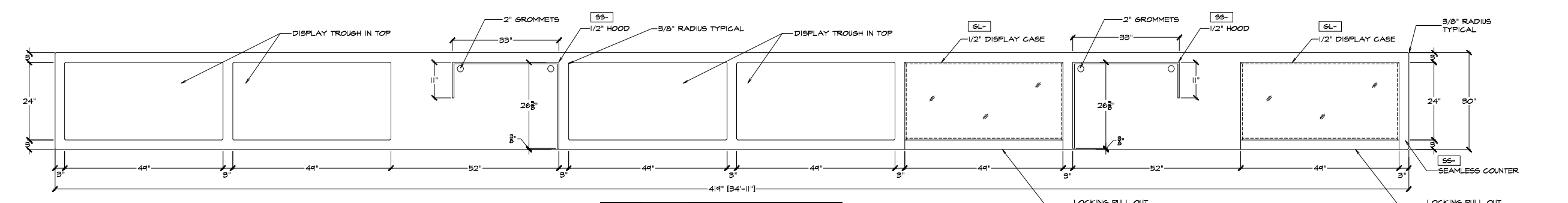
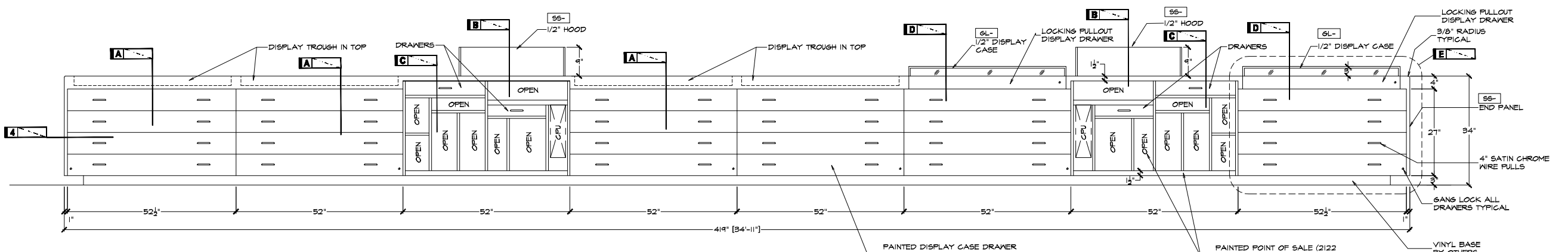


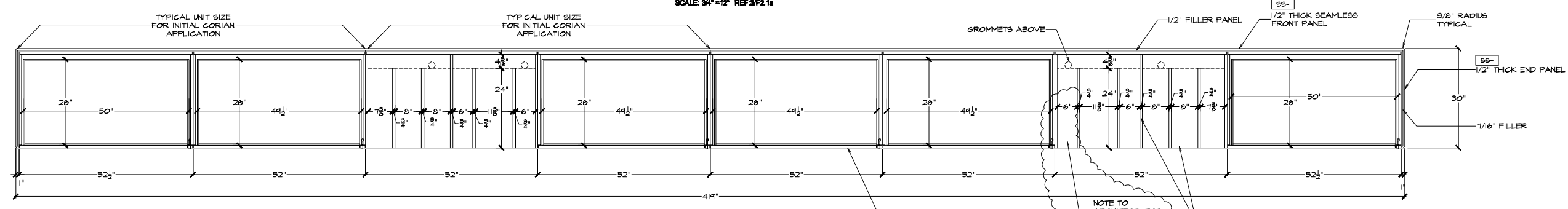
1 F2.1.1 ELEVATION: FRONT
SCALE: 3/4" = 12" REF: 1/F2.1a



2 F2.1.1 PLAN VIEW: PERSONAL ACCESSORIES FIXTURE
SCALE: 3/4" = 12" REF: 2/F2.1a

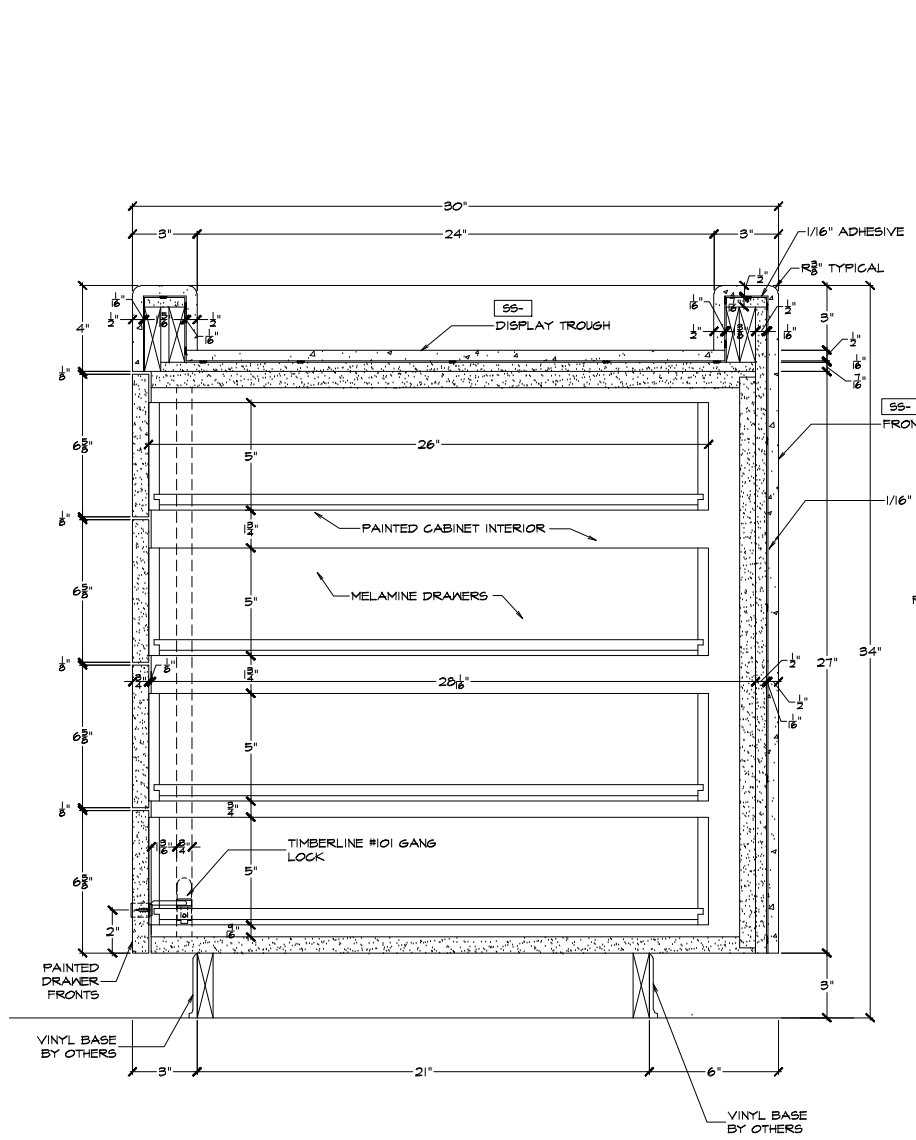


3 F2.1.1 ELEVATION: BACK
SCALE: 3/4" = 12" REF: 3/F2.1a

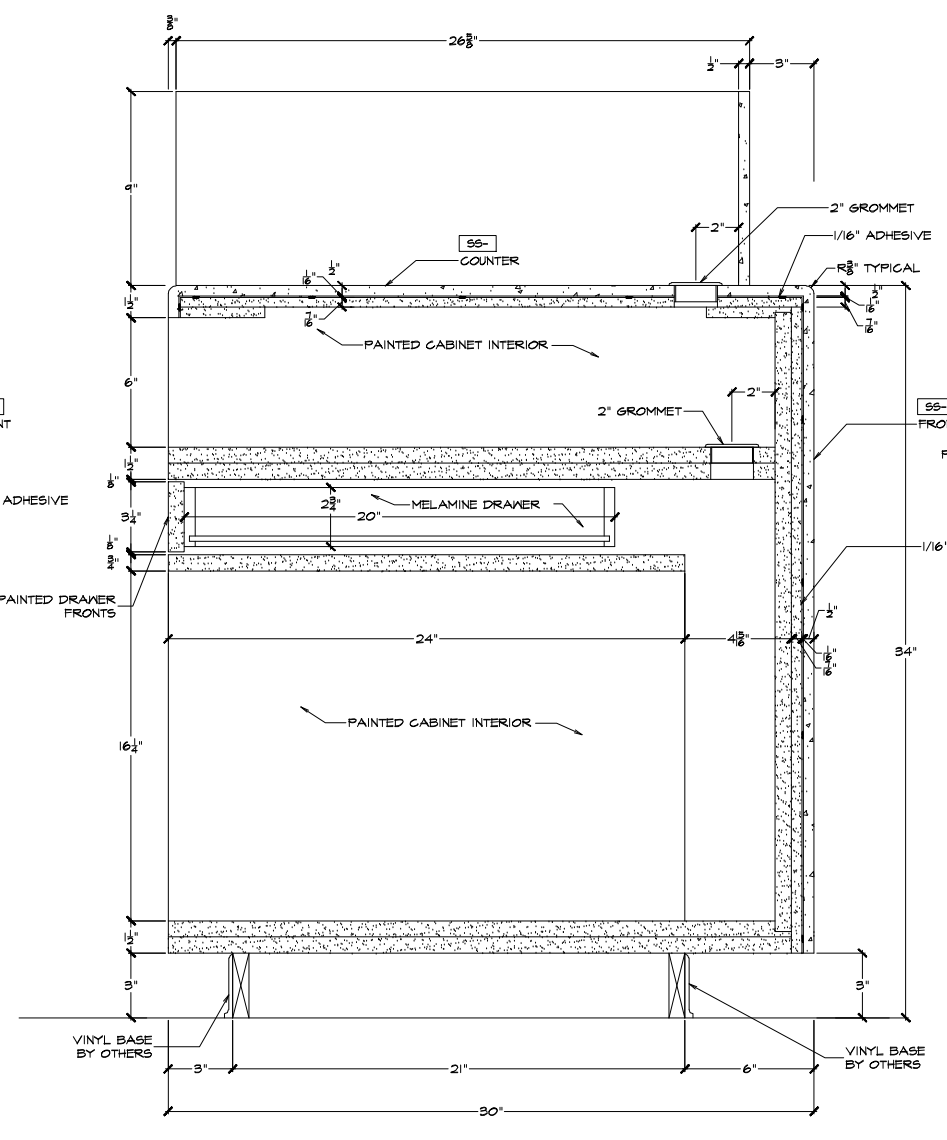


4 F2.1.1 PLAN SECTION: PERSONAL ACCESSORIES FIXTURE
SCALE: 3/4" = 12" REF: 4/F2.1a

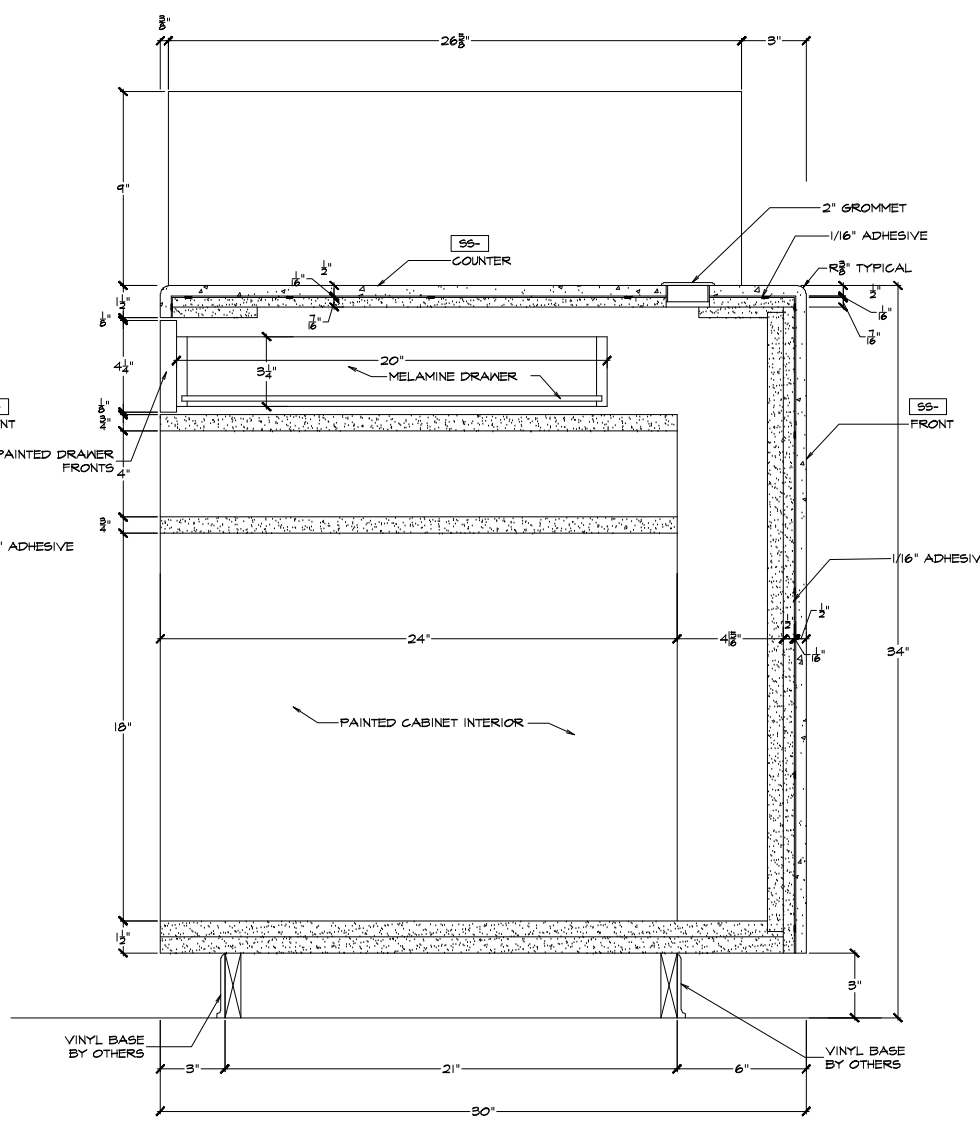
NOTE TO ARCHITECT: P66 RECOMMENDS AN INCREASE IN SPAGE FOR STANDARD CPU



A F2.1.2 VERTICAL SECTION: AT DISPLAY TROUGH
SCALE: 3"=12" REF:7/F2.1b

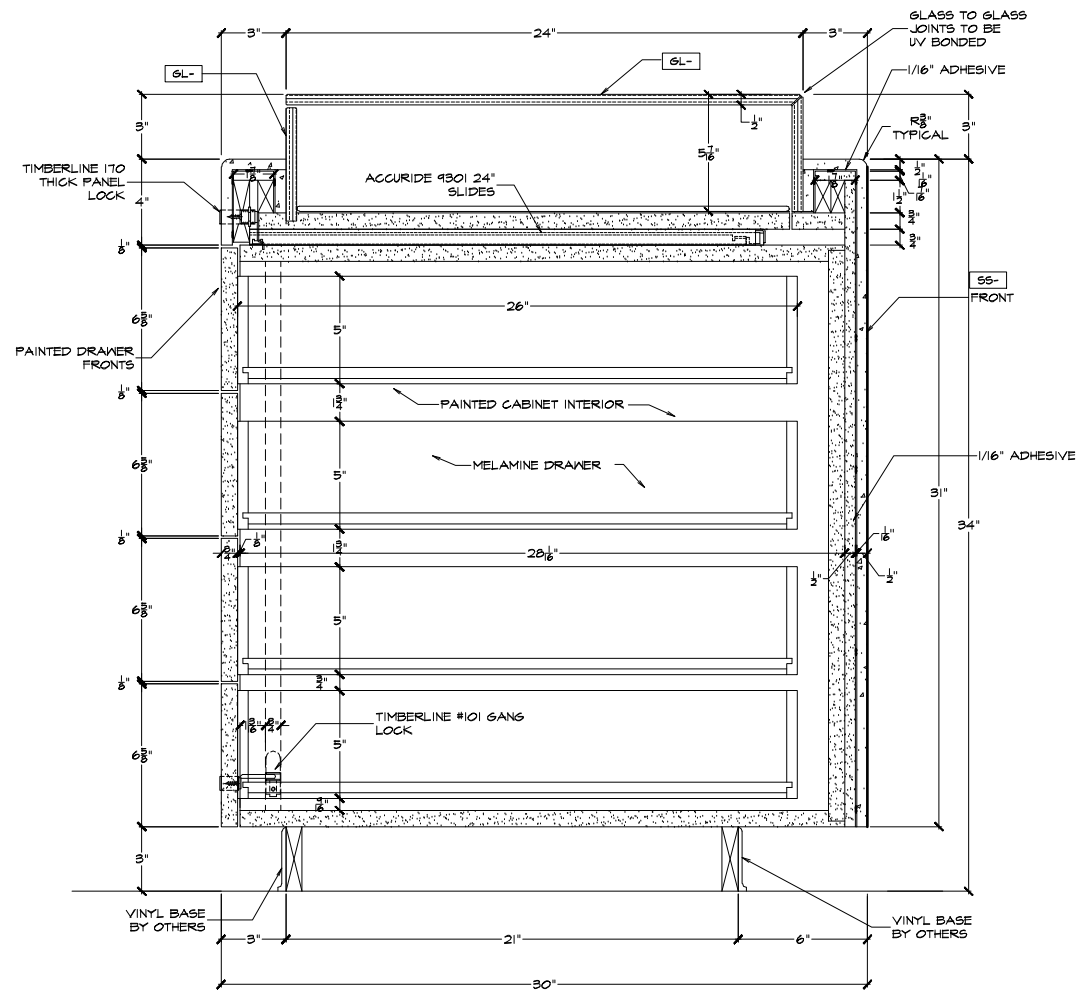


B F2.1.2 VERTICAL SECTION: AT POINT OF SALE
SCALE: 3"=12" REF:5/F2.1b

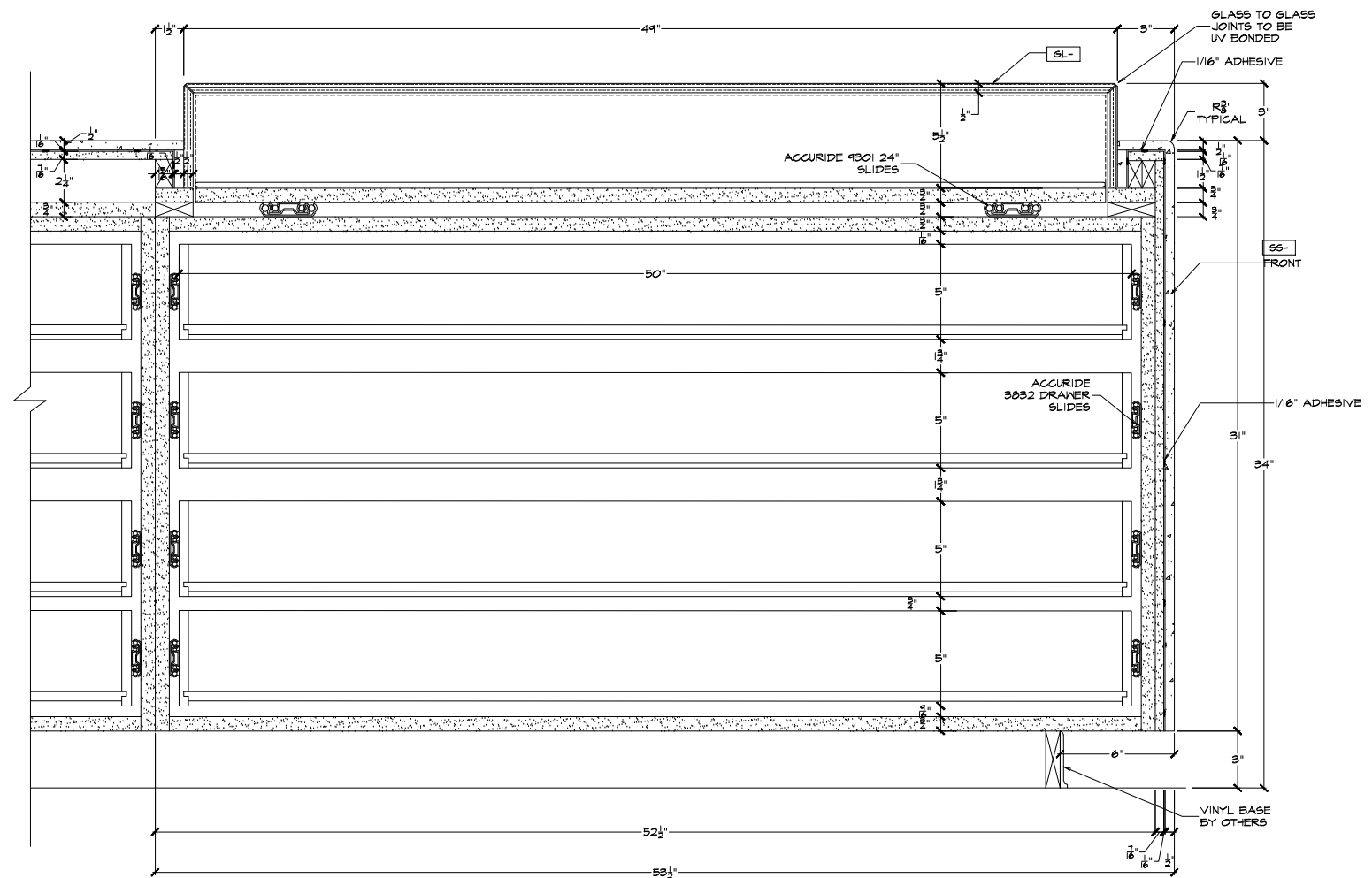


C F2.1.2 VERTICAL SECTION: AT POINT OF SALE
SCALE: 3"=12" REF:4/F2.1b



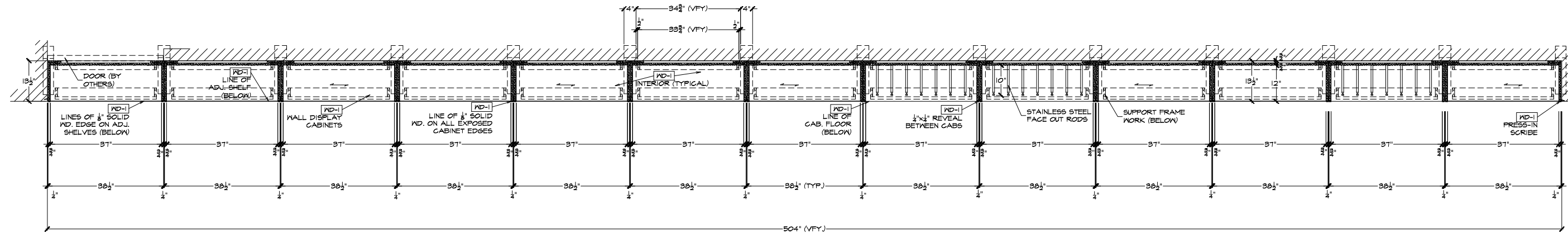


D F2.1.3 VERTICAL SECTION: GLASS DISPLAY PULLOUT
 SCALE: 3"=12" REF: 8/F2.1b

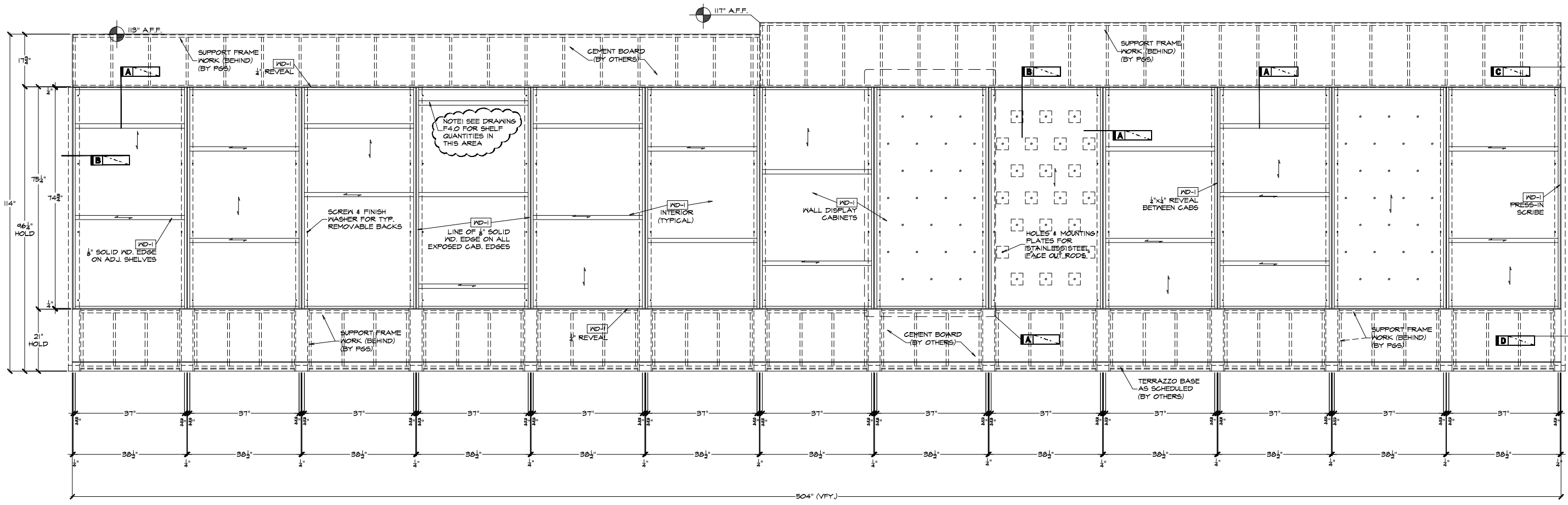


E F2.1.3 LATERAL SECTION: GLASS DISPLAY PULLOUT
 SCALE: 3"=12" REF: NONE

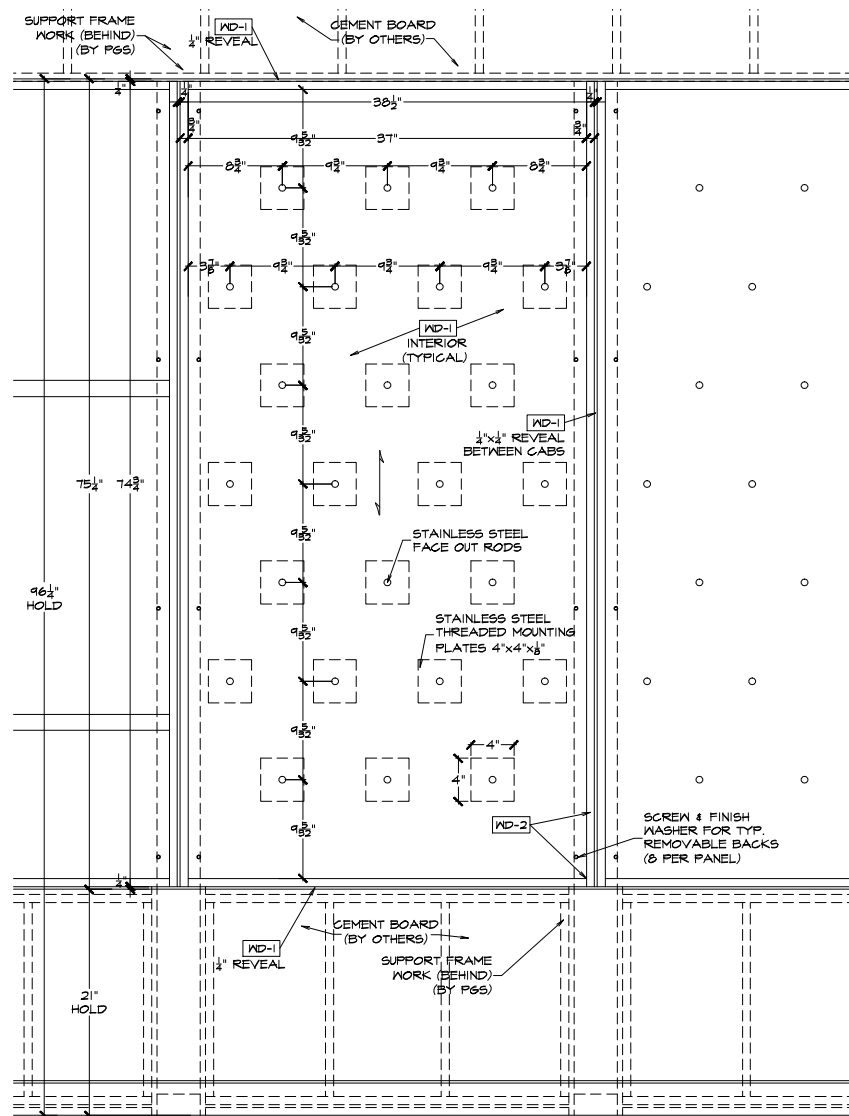




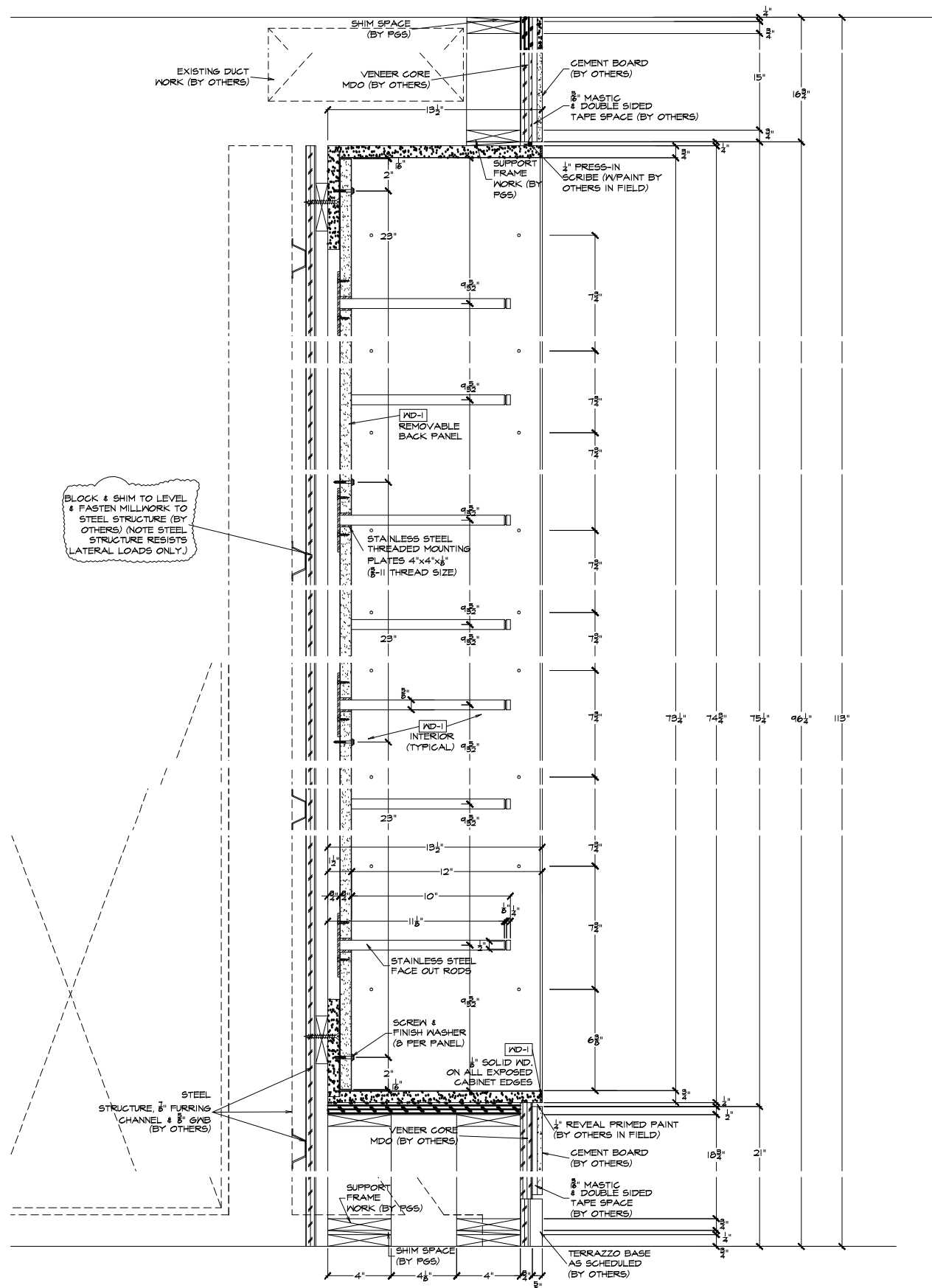
1 F4.1.1 PLAN @ GENERAL WALL DISPLAY CABINETS
SCALE: 3/4" = 1'-0"
REF: 1F & 2F4.1



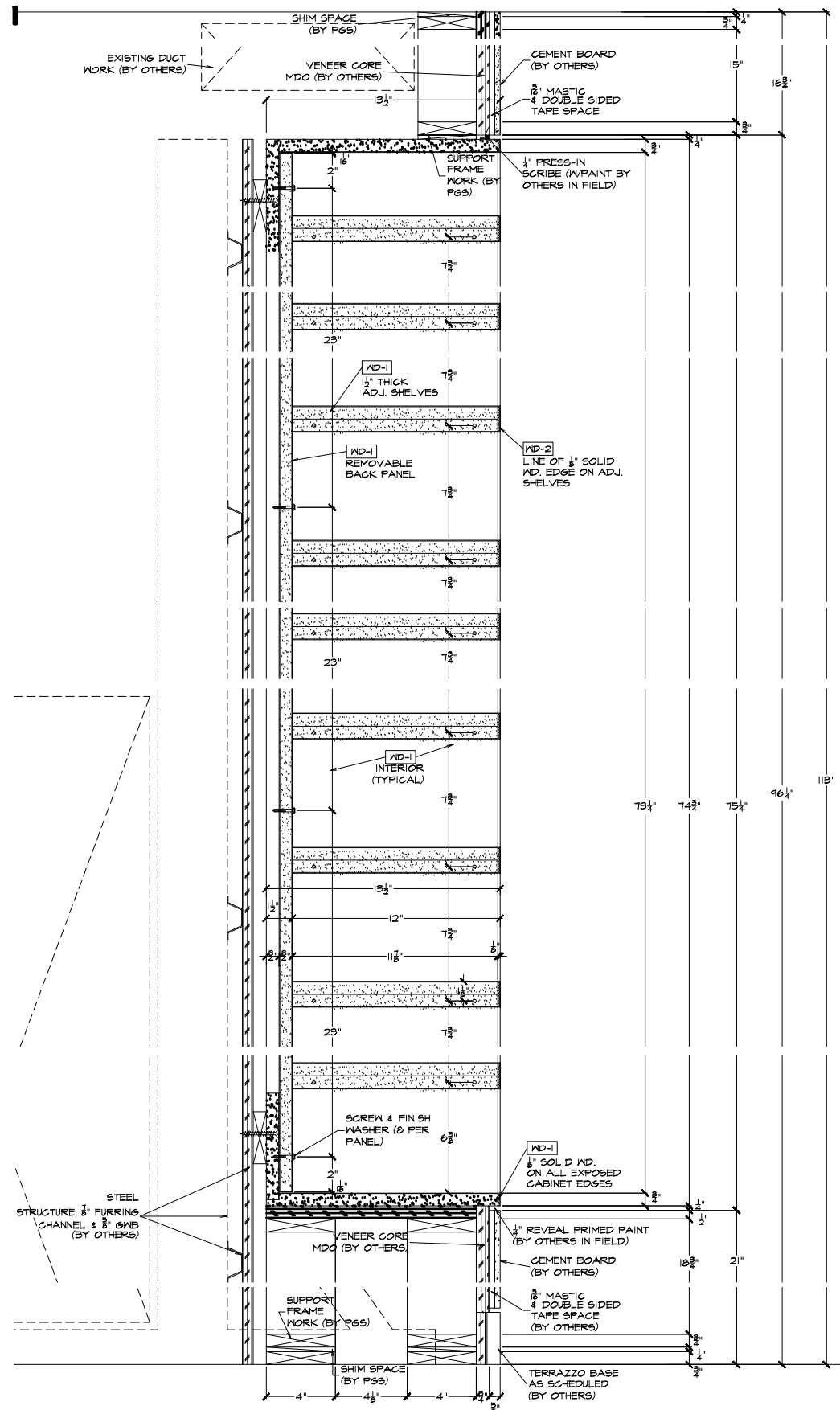
2 F4.1.1 ELEVATION @ GENERAL WALL DISPLAY CABINETS
SCALE: 3/4" = 1'-0"
REF: 1F4.1



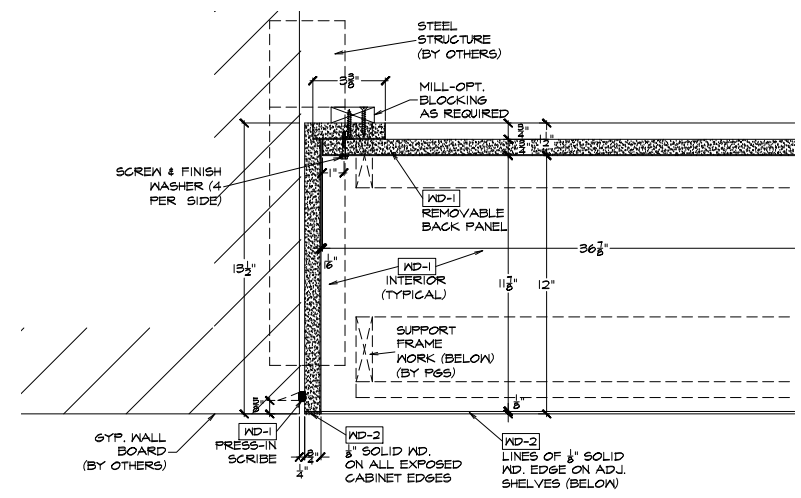
A 7.1.2 ENLARGED ELEVATION @ GENERAL WALL DISPLAY CAB. W/FACE OUT RODS
 SCALE: 1/12" = 1'-0"
 REF: 3/F.1



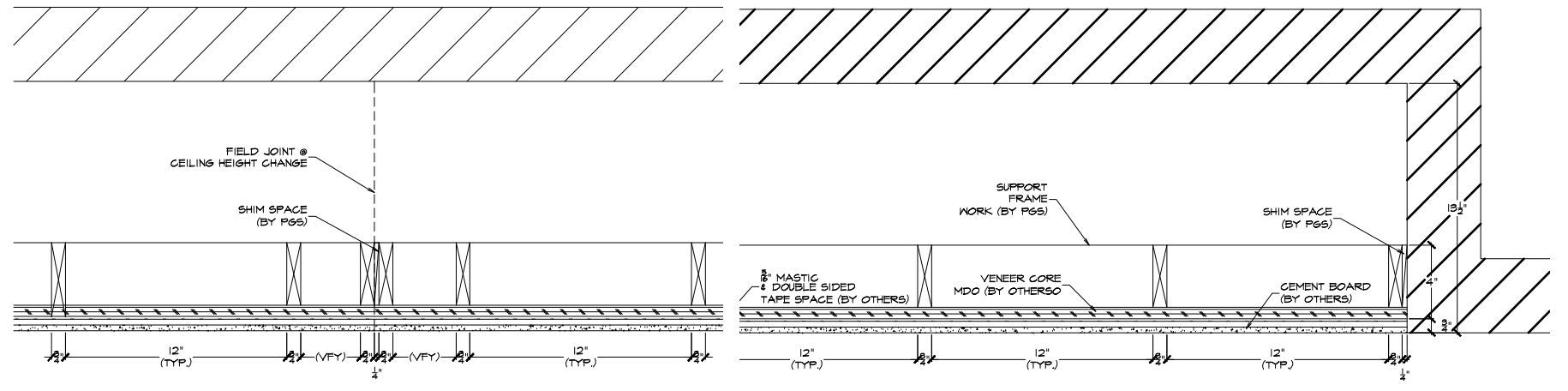
B 7.1.2 SECTION @ GENERAL WALL DISPLAY CABINETS W/FACE OUT RODS
 SCALE: 3/8" = 1'-0"
 REF: 3/F.1 (S.M.)



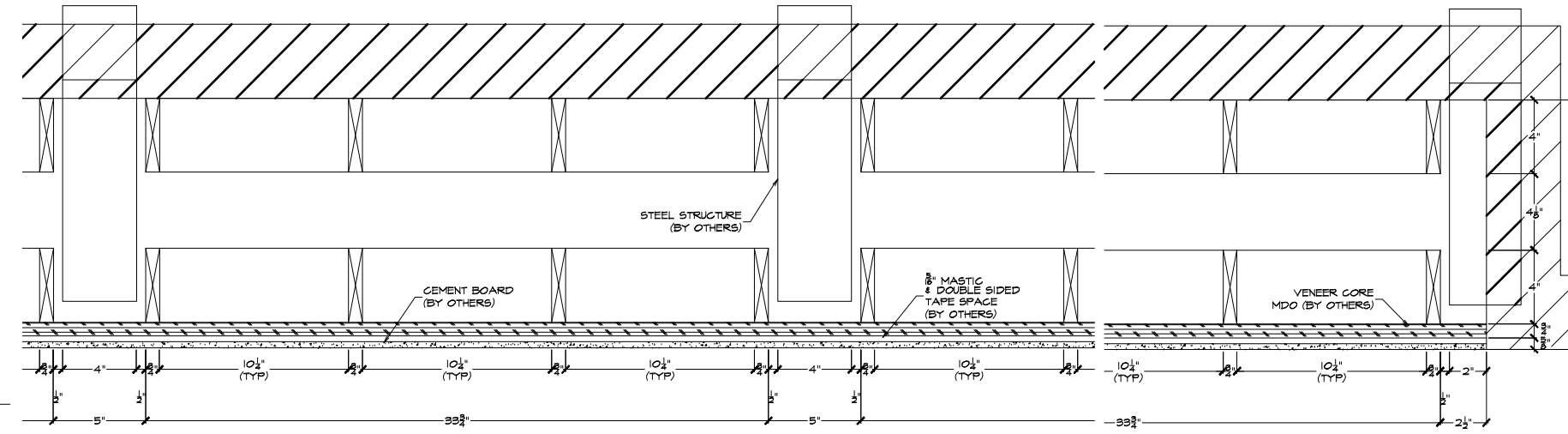
A 7.1.1 SECTION @ GENERAL WALL DISPLAY CABINET
SCALE: 3" = 12" REF: 5/F4.1 (SH.)



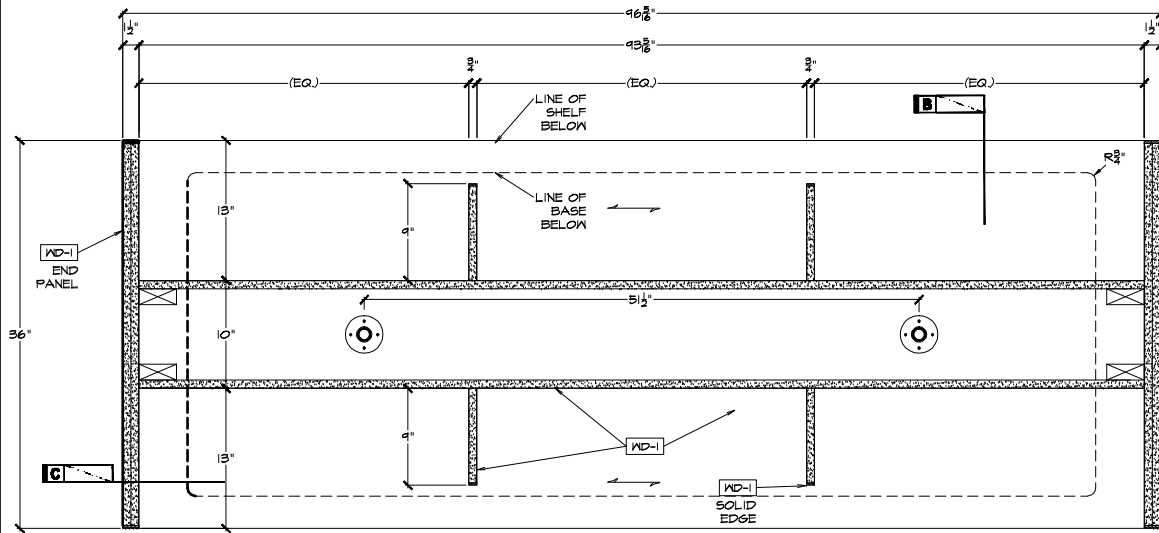
B 7.1.2 DETAIL @ GENERAL WALL DISPLAY CAB. W/REMOVABLE BACK
SCALE: 3" = 12" REF: NONE



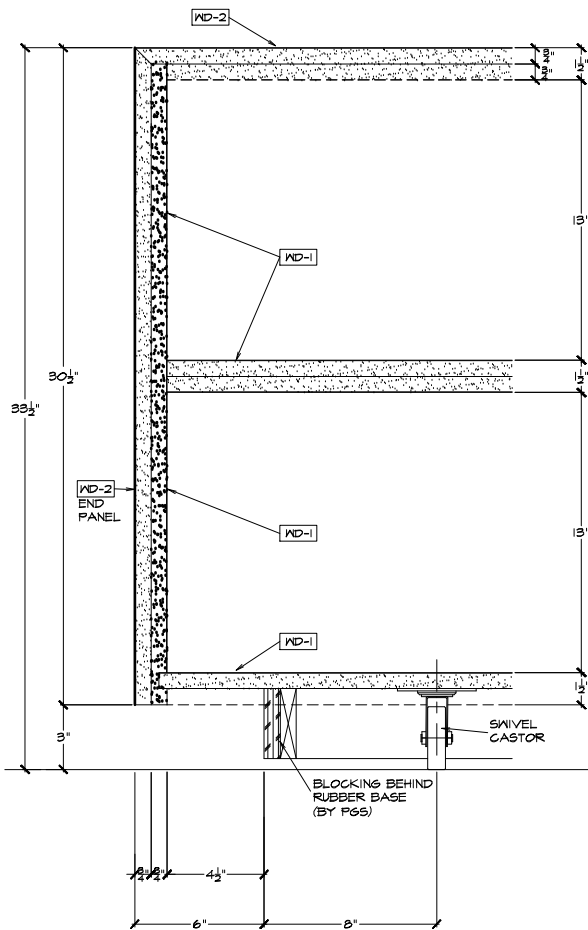
C 7.1.3 PLAN SECTION @ UPPER SUPPORT FRAME
SCALE: 3" = 12" REF: NONE



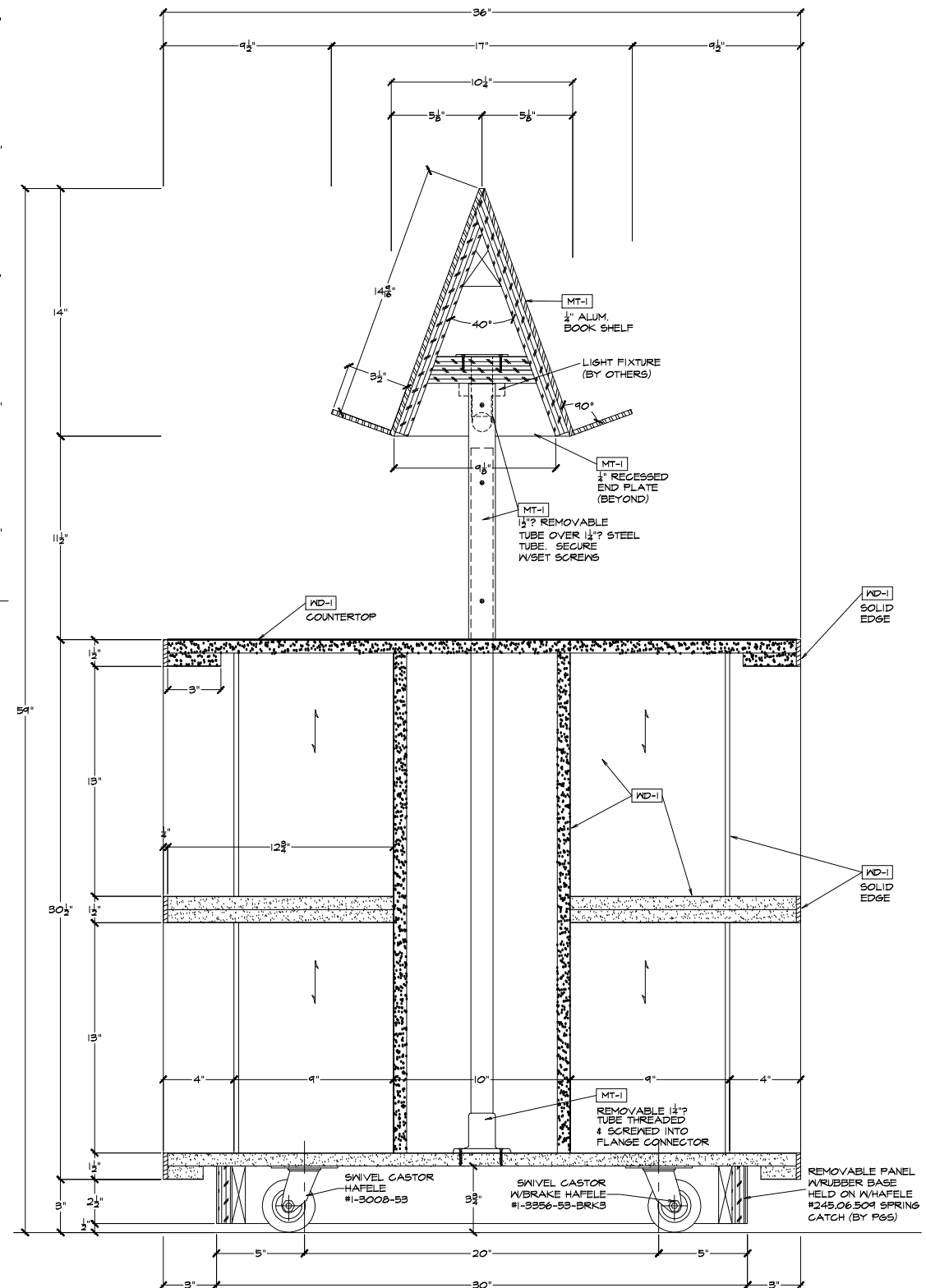
D 7.1.4 PLAN SECTION @ LOWER SUPPORT FRAME
SCALE: 3" = 12" REF: NONE



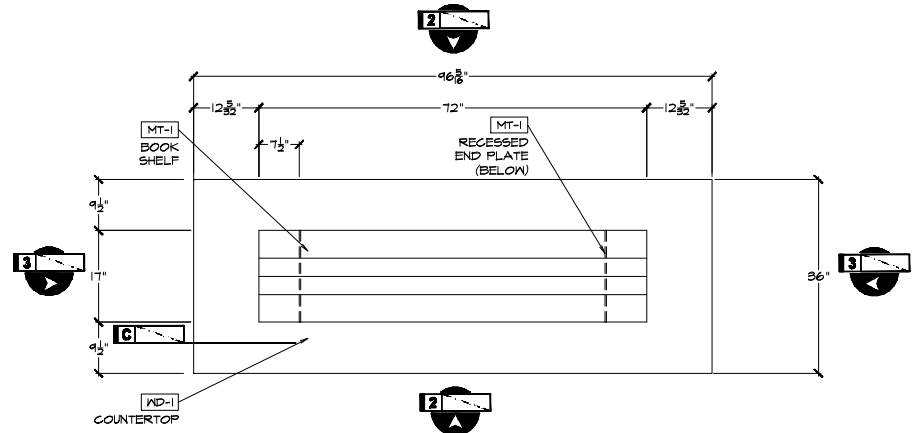
A F.3.1 PLAN SECTION @ LOW BOOK FIXTURE
SCALE: 1 1/2" = 12" REF: 2/F3.3



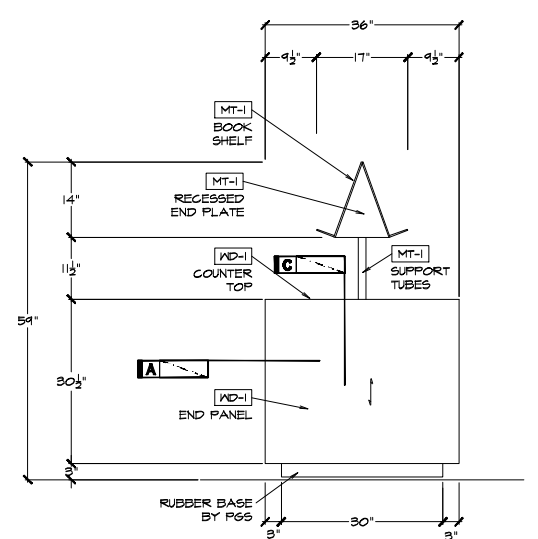
C F.3.1 SECTION - LOW BOOK FIXTURE
SCALE: 3" = 12" REF: 4/F3.3



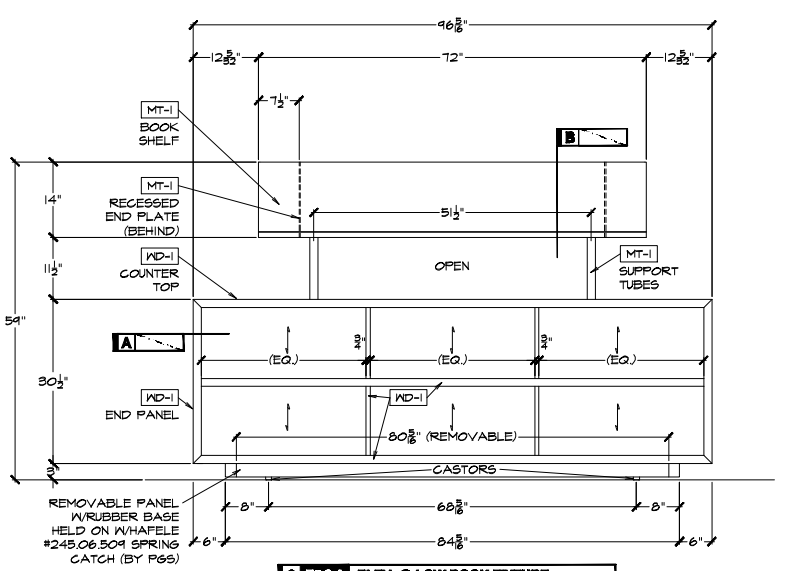
B F.3.1 SECTION - LOW BOOK FIXTURE
SCALE: 3" = 12" REF: 5/F3.3



1 F.3.1 PLAN @ LOW BOOK FIXTURE
SCALE: 3/4" = 12" REF: 3/F3.3



3 F.3.1 ELEV. @ LOW BOOK FIXTURE
SCALE: 3/4" = 12" REF: 4/F3.3



2 F.3.1 ELEV. @ LOW BOOK FIXTURE
SCALE: 3/4" = 12" REF: 1/F3.3